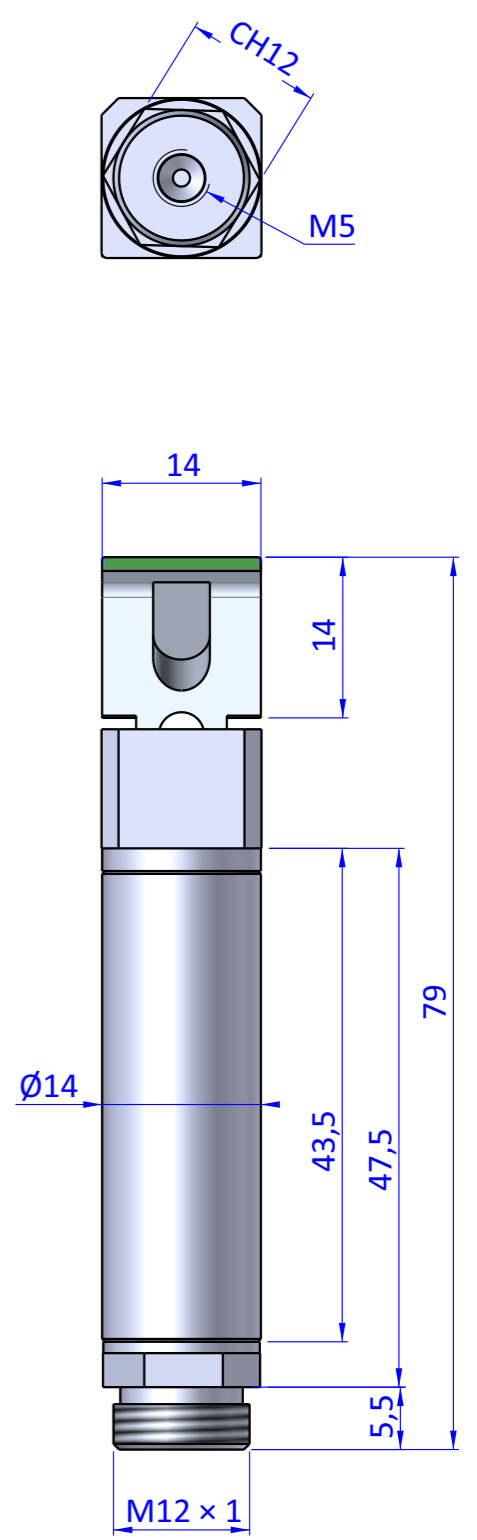
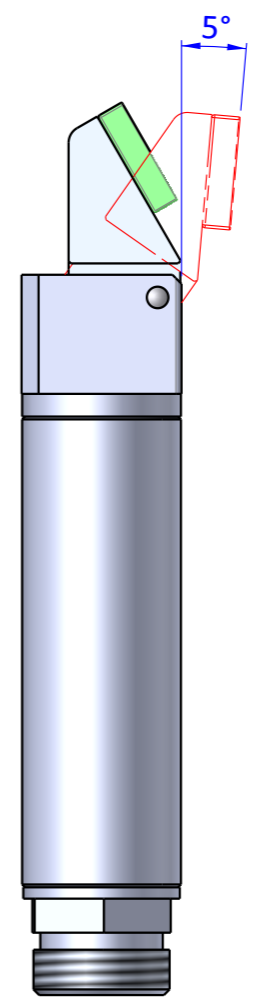
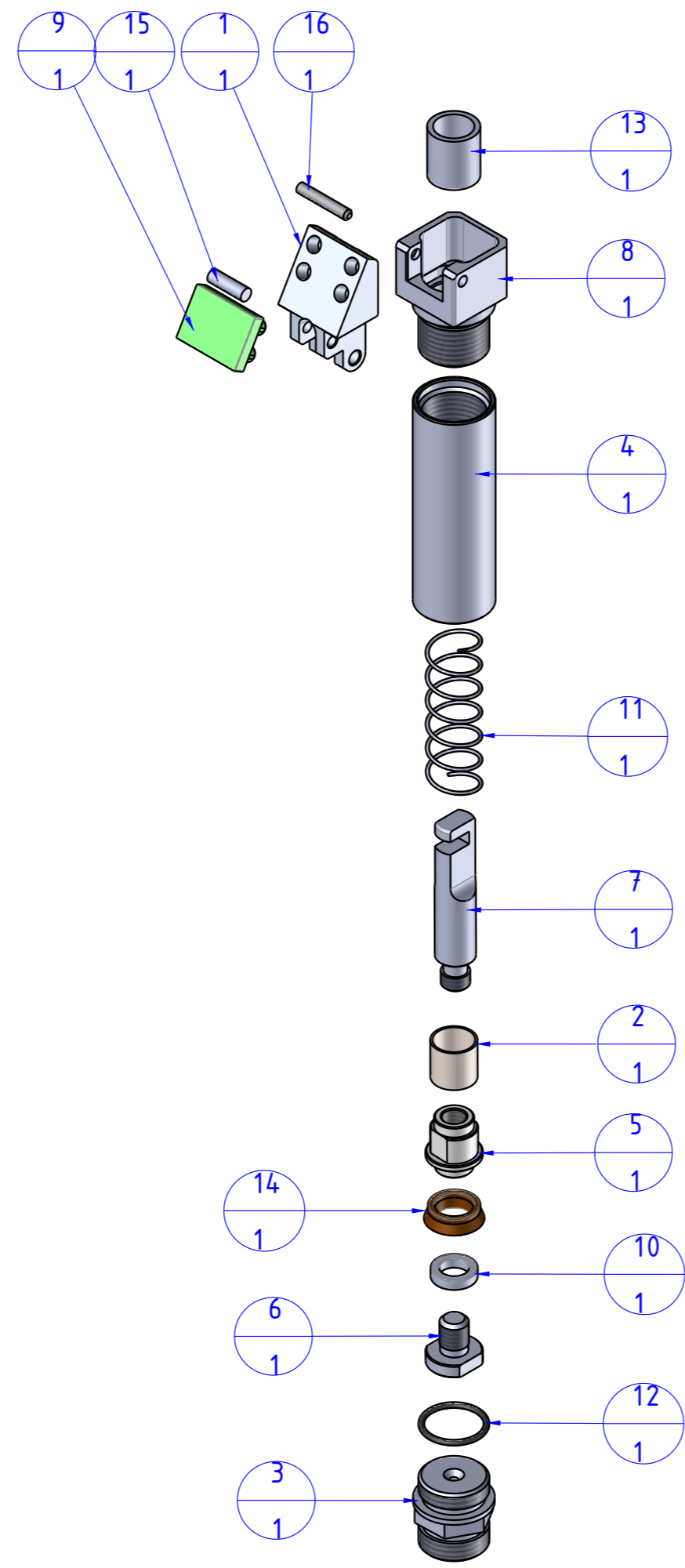



THE PROPERTY OF THE DRAWING IS ESTABLISHED BY LAW. IT IS FORBIDDEN TO PRODUCE OR SHOW IT TO THIRD PART - WITHOUT A WRITTEN AGREEMENT.

Item	Name	Q.ty
1	GRF14.25.09	1
2	GRF14.35.08	1
3	GRF14.95.01	1
4	GRF14.95.02	1
5	GRF14.95.03	1
6	GRF14.95.03.2	1
7	GRF14.95.04	1
8	GRF14.95.05	1
9	GRF14.95.08.V	1
10	GRF14.95.10	1
11	M.10X32A	1
12	ORM.0100.10	1
13	PAP.070910	1
14	PSP.100603	1
15	SP.2,5x08M6	1
16	SP.2x12M6	1



Format A3  
UNI 936-76

 FPS SERVICES AUTOMATION		DESIGNED FROM		REVIEW
		FPS Automation		A
GENERAL TOLERANCE		DATE	WEIGHT	
UNI - ISO 2768		22/11/2022	0,030kg	
CLASSE f		CODE		
		CA.GRF.1435		CA.GRF.1425.G